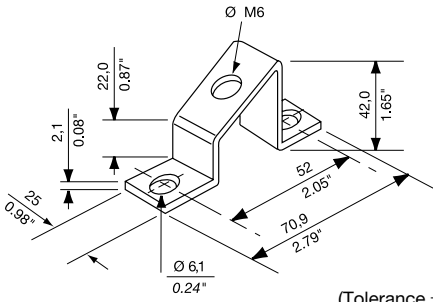


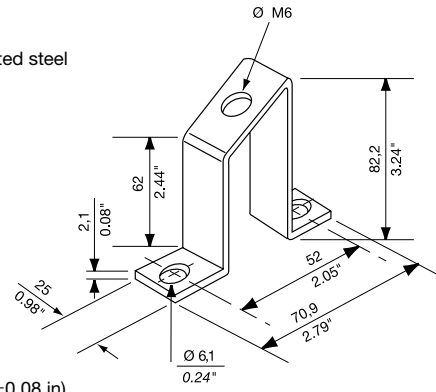
Rail offset brackets, angled

Zinc bichromate plated steel

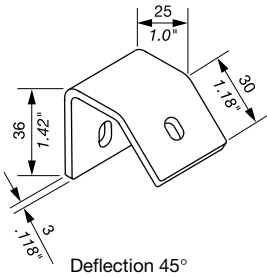
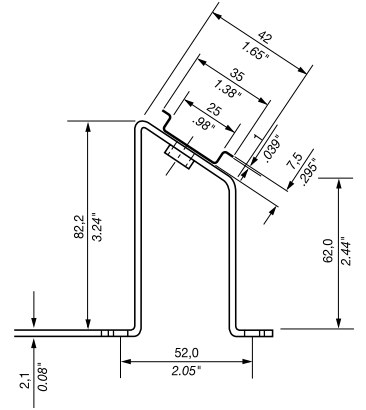


(Tolerance ±2 mm, ±0.08 in)

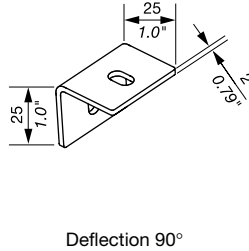
TS4-SM6 0306 022.24



TS8-SM6 0306 023.25

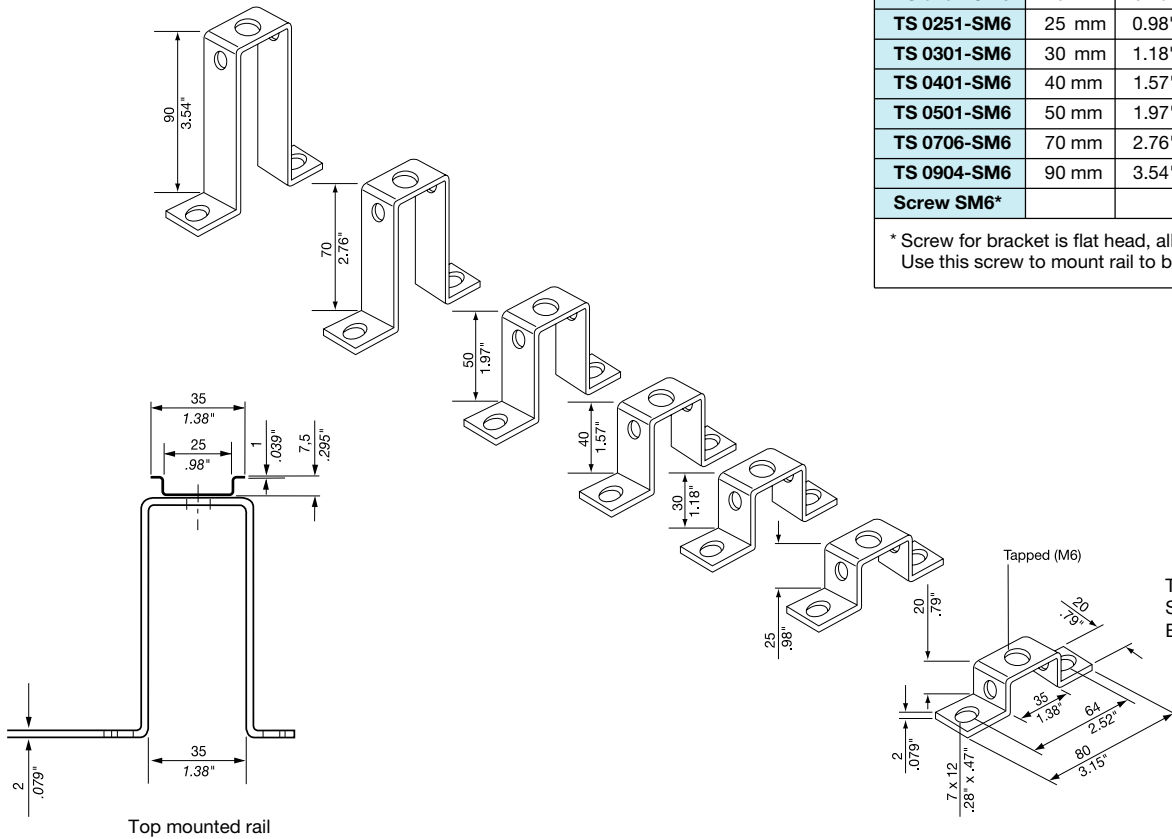


TS.45 0008 521.26



TS.90 0008 520.01

Rail offset brackets, vertical offset



Top mounted rail

Top hole tapped (M6)
Side holes unthreaded
Bottom mounting holes oblong

Type	Height		Old P/N	New P/N
	mm	in		
TS 0201-SM6	20 mm	0.79"	304 200.26	0101 653.04
TS 0251-SM6	25 mm	0.98"	N/A	0101 930.22
TS 0301-SM6	30 mm	1.18"	N/A	0101 654.05
TS 0401-SM6	40 mm	1.57"	304 201.13	0101 655.06
TS 0501-SM6	50 mm	1.97"	N/A	0101 656.07
TS 0706-SM6	70 mm	2.76"	304 202.14	0101 657.00
TS 0904-SM6	90 mm	3.54"	304 203.15	0101 658.11
Screw SM6*			304 234.03	0101 659.12

* Screw for bracket is flat head, allen key.
Use this screw to mount rail to bracket.